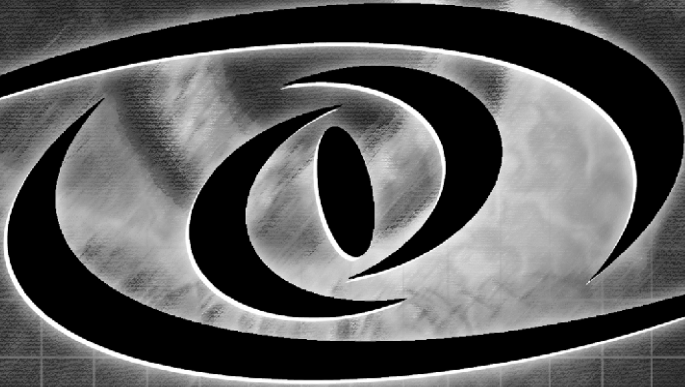


PYLE®



view

7" SUN VISOR TFT-LCD MONITOR



PLVSMN7

1. SPECIFICATION

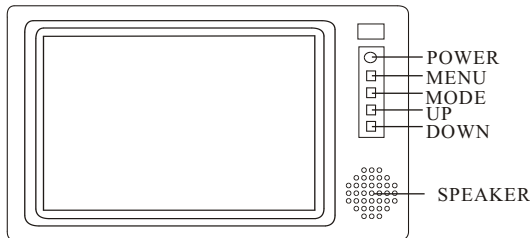
*** OPICAL**

- SCREEN SIZE ----- 7" DIAGONAL
- DISPLAY FORMAT ----- 1440(H) x 234(V)
- COLOR CONFIGURATION ----- RGB Stripe
- DOT PITCH ----- 0.107(H) x 0.372(V)
- VIEWING ANGLE ----- Top: 50 deg. / Bottom: 20 deg.
Left: 45 deg. / Right: 45 deg.

*** ELECTRICAL**

- BRIGHTNESS-----250 CD/M²
- COLOR SYSTEM ----- NTSC/PAL Auto Switch
- VIDEO INPUT ----- 1 Vp-p, 75ohms
- POWER CUNSUMPTION ----- DC12V 1A MAX. 6VA
- AUDIO OUTPUT POWER----- 0.5W(MAX)

2. FUNCTION KEYS AT FRONT PANEL:



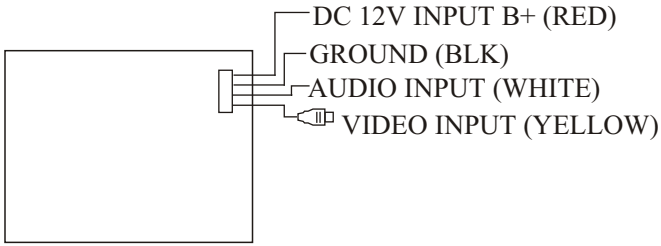
Menu Function

CONTRAST:	Press ▲ or ▼ to adjust Contrast.
BEIGHTNESS:	Press ▲ or ▼ to adjust Brightness.
COLOR:	Press ▲ or ▼ to adjust Color.
SHARPNESS:	Press ▲ or ▼ to adjust Sharpness.
VOLUME:	Press ▲ or ▼ to adjust Volume.
MODE:	16:9 / 4:3
LEFT RIGHT:	Left/Right Revolving
RESET:	The Display will Return to The Original by Factory.
EXIT:	Exit Menu Mode.

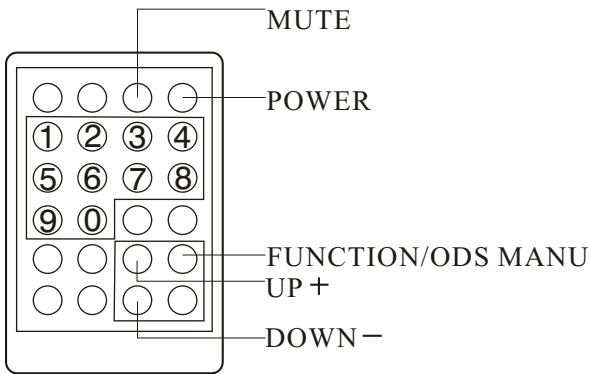
* POWER: Press the "Power" button once it will be power ON.
Press it again, will be power OFF.

* UP/DOWN: Press UP or DOWN directly is to adjust volume.
Using MENU button together can adjust the other functions.

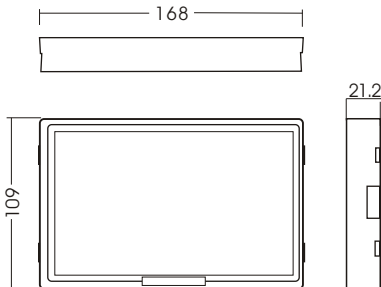
3. FUNCTION



4. REMOTE CONTROL



5. DIMENSION



6. SUN VISOR KIT

